

**Exercise-1.4****I. Visualize 3.765 on the number line using successive magnification.****Ans.**

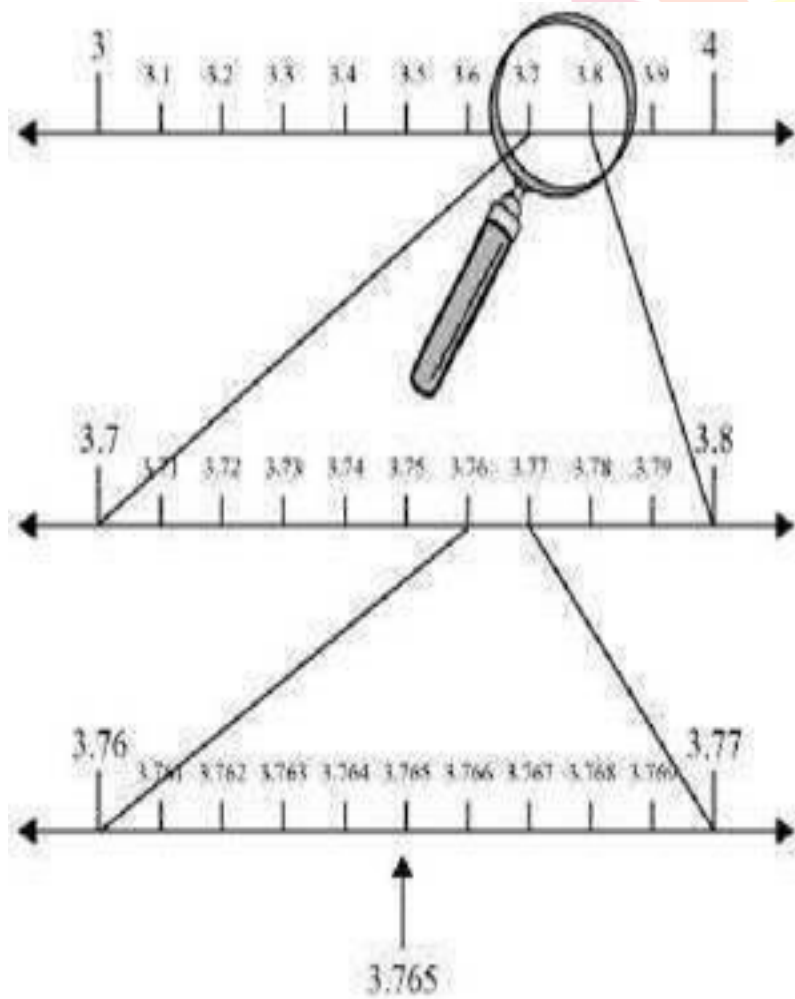
We know that the number 3.765 will lie between 3.764 and 3.766. We

know that the numbers 3.764 and 3.766 will lie between 3.76 and 3.77. We

know that the numbers 3.76 and 3.77 will lie between 3.7 and 3.8.

We know that the numbers 3.7 and 3.8 will lie between 3 and 4.

Therefore, we can conclude that we need to use the successive magnification, after locating numbers 3 and 4 on the number line.



TM  
Math  
SELF

2. Visualize  $4.\overline{26}$  on the number line, up to 4 decimal places.

**Ans.** We know that the number  $4.\overline{26}$  can also be written as  $4.262\dots$ .

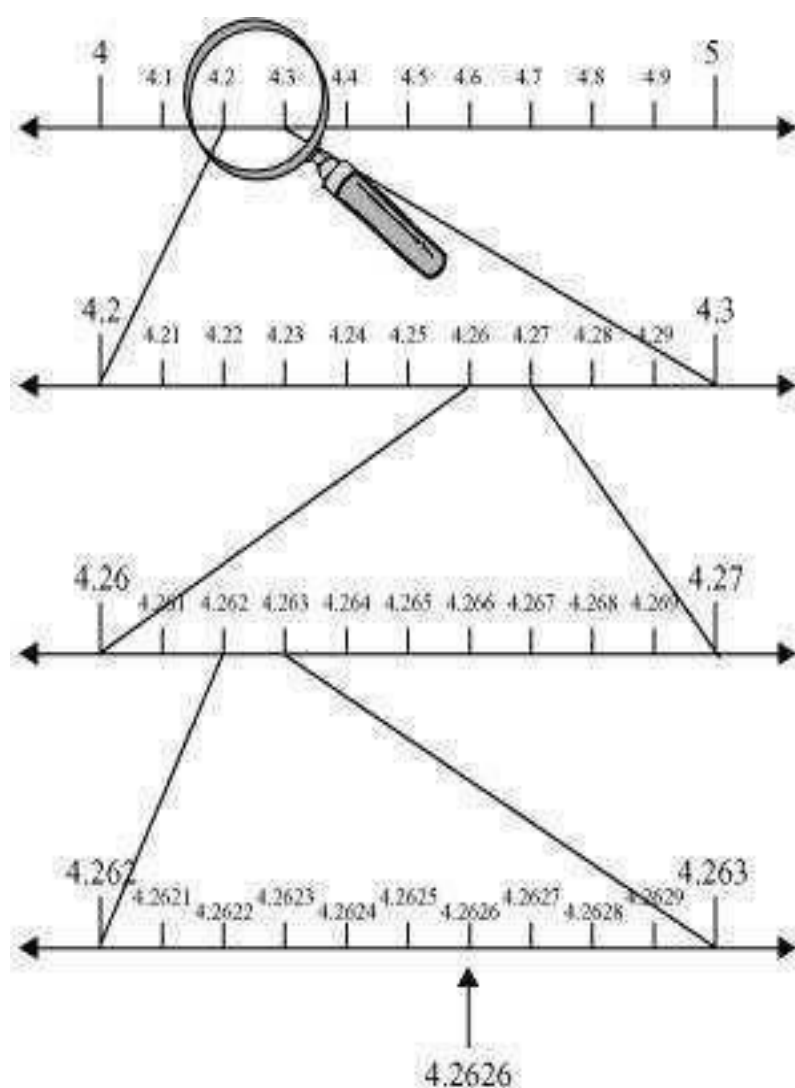
We know that the number  $4.262\dots$  will lie between 4.261 and 4.263.

We know that the numbers 4.261 and 4.263 will lie between 4.26 and 4.27.

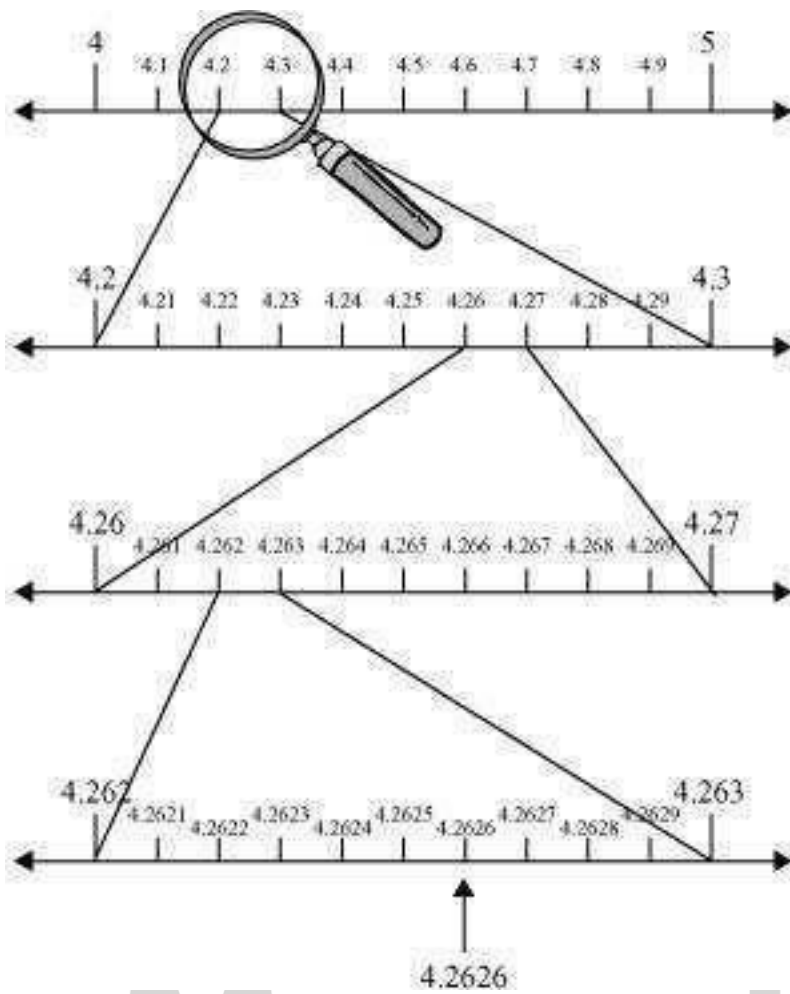
We know that the numbers 4.26 and 4.27 will lie between 4.2 and 4.3.

We know that the numbers 4.2 and 4.3 will lie between 4 and 5.

Therefore, we can conclude that we need to use the successive magnification, after locating numbers 4 and 5 on the number line.



TM  
Math  
RSELF



TM

# MeandMath

BELIEVE YOURSELF